

FUJITSU SEMICONDUCTOR

**FR50**  
**32-BIT MICROCONTROLLER**  
**MB91F367GA/F368GA**  
**Datasheet**

Release 1.0 10-Apr-2001

Revision History

<b>Revision</b>	<b>Date</b>	<b>Item</b>
1.0	10-Apr-2001	First revision of preliminary datasheet for MB91F367GA and MB91F368GA

# Table of Contents

1	MB91F367GA/F368GA Overview .....	5
1.1	MB91F367GA Block Structure .....	6
1.2	MB91F368GA Block Structure .....	7
1.3	Core Functionality .....	8
1.4	Features .....	10
1.5	Pin Assignment MB91F367GA .....	14
1.6	Pin Assignment MB91F368GA .....	15
1.7	I/O Pins and Their Functions .....	16
1.8	Flash Memory Mode of MB91F367GA/F368GA .....	20
2	Additional information .....	22
2.1	Flash Interface .....	22
2.1.1	Flash Control Status Register (FMCS) .....	22
2.1.2	Flash Wait Control Register (FMWT) .....	23
2.2	F362 Mode Register (F362MD) .....	27
2.3	Oscillation stabilization time .....	28
2.4	Subclock RTC32 (CLKR2) .....	28
2.5	Boot ROM .....	29
3	IO-Map .....	30
4	Interrupt Vector Table .....	30
5	Power-on-sequence .....	30
6	Handling of Unused Input Pins .....	30
7	Emulation Device .....	31
8	Package .....	32
9	Electrical specification .....	33
9.1	Absolute maximum ratings .....	33
9.2	Operating conditions .....	33
9.3	Run Mode Current/Power consumption .....	36
9.3.1	Logic Power Consumption .....	36
9.3.2	Analog Power Consumption .....	37
9.3.3	I/O and SMC Power Consumption .....	37
9.4	Converter Characteristics .....	39
9.5	Clock settings .....	39
9.6	Clock modulator settings .....	40
	Appendix A I/O Map .....	41
	Appendix B Interrupt Vectors .....	59



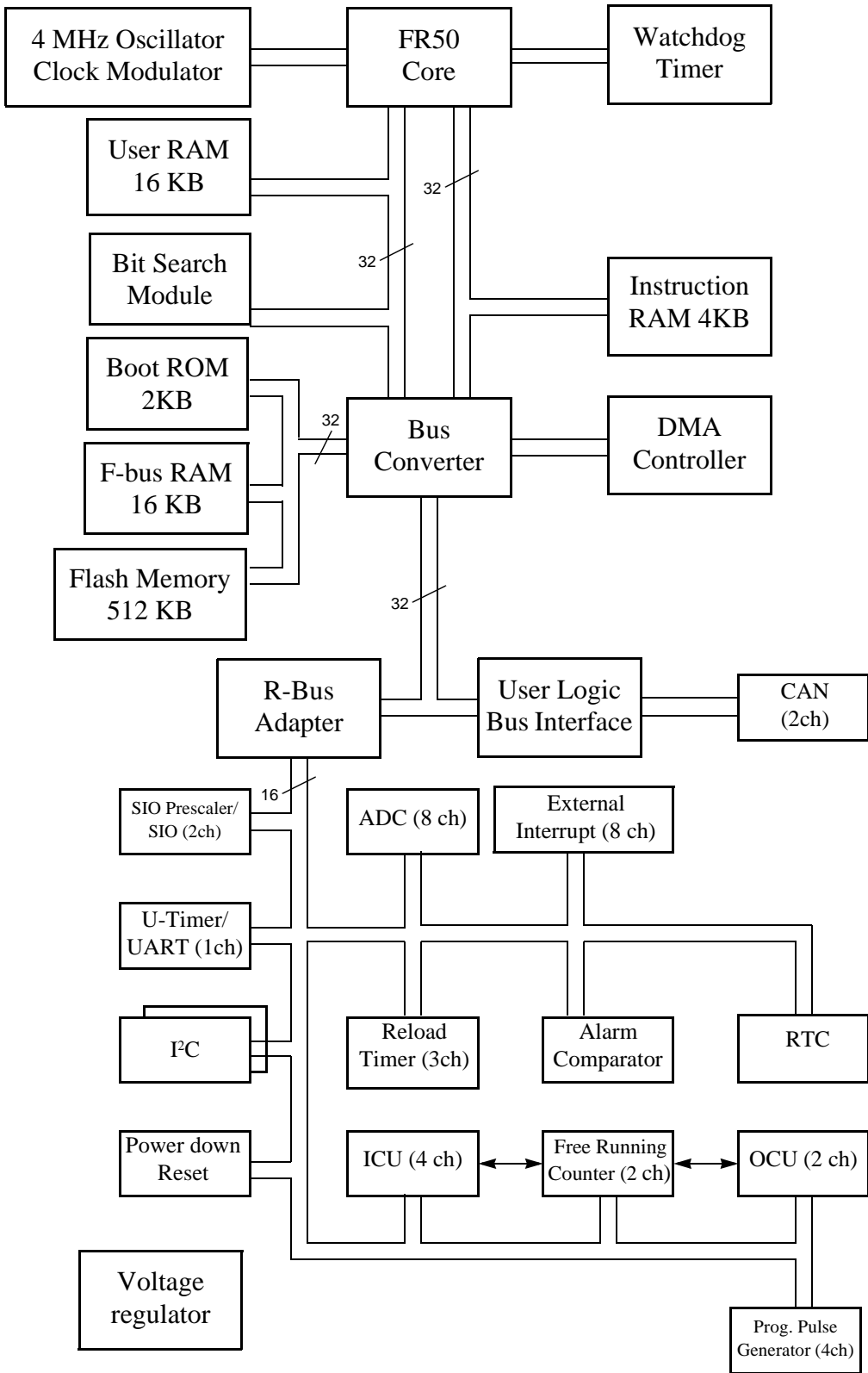
# CHAPTER 1 MB91F367GA/F368GA Overview

This device is available in two options. The difference between these options is as follows:

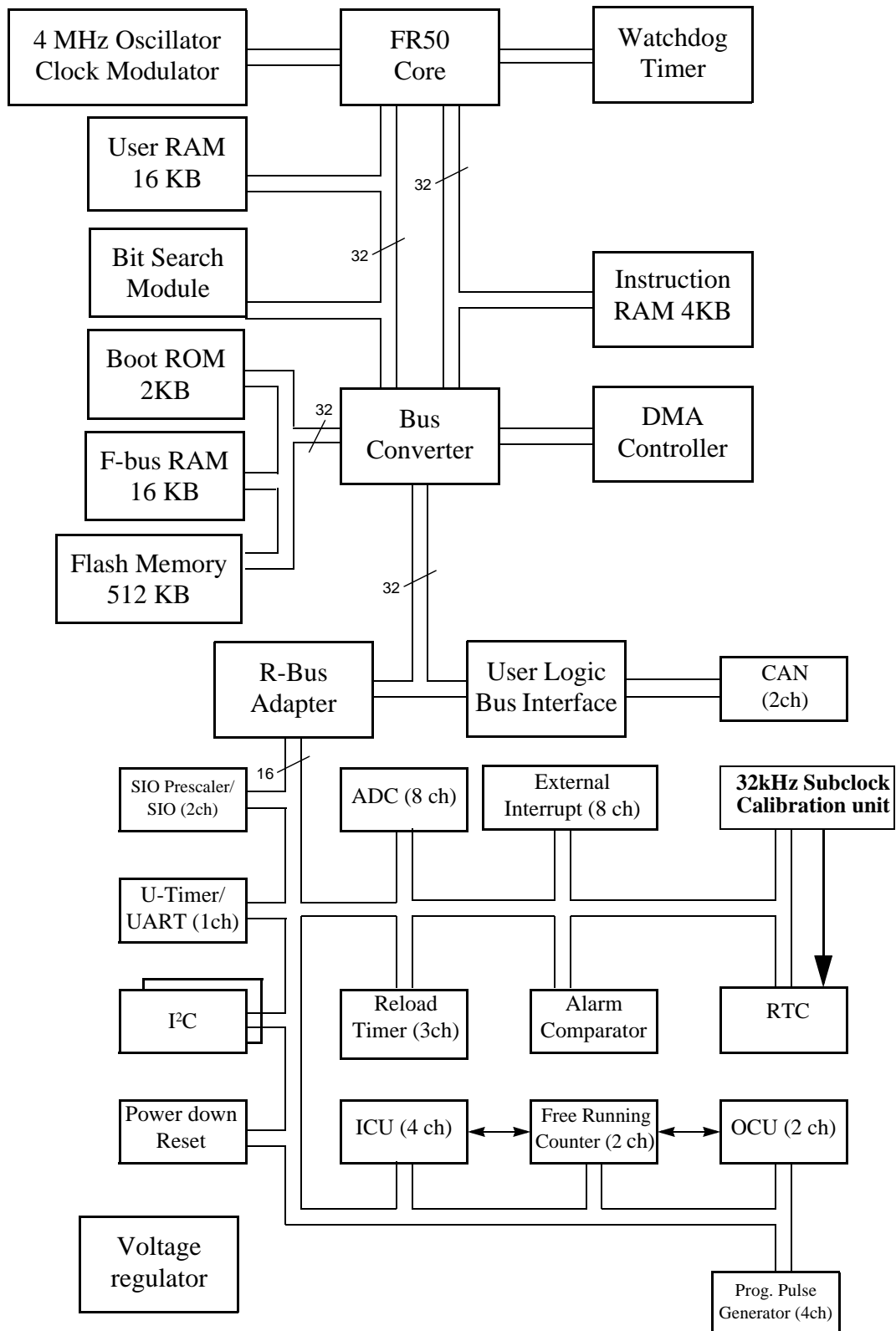
Feature	MB91F367GA	MB91F368GA
RTC module	connected to 4 MHz oscillator	connected to 32kHz oscillator at pins 27, 28 calibration unit available

See the following chapters for more details:

# 1.1 MB91F367GA Block Structure



## 1.2 MB91F368GA Block Structure



## 1.3 Core Functionality

Function	Feature	Remarks
FR50 Core	32-bit Fujitsu RISC Core FR30 software compatible	
Clock module (clock control, clock divider, PLLs)	Setting of frequencies for CPU and peripherals (see MB91FV360GA)  Low power consumption modes: <u>RTC mode</u> : only the <b>Real Time Clock</b> and the selected oscillator are active (= STOP mode and bit 0 of STCR is set to 0) <u>STOP mode</u> : all internal circuits and the oscillation circuits are halted	
Watchdog	adjustable watchdog timer interval (between $2^{20}$ and $2^{26}$ system clock cycles)	
I-RAM 4 kB	I-RAM	see remark below table
D-bus RAM 16 kB	RAM for user data	see remark below table
F-bus RAM 16 kB	RAM for data and code	see remark below table
Flash Memory 512 kB	sector architecture:  sector 0: 64 kB   sector 7: 64 kB sector 1: 64 kB   sector 8: 64 kB sector 2: 64 kB   sector 9: 64 kB sector 3: 32 kB   sector 10: 32 kB sector 4: 8 kB   sector 11: 8 kB sector 5: 8 kB   sector 12: 8 kB sector 6: 16 kB   sector 13: 16 kB                       V                  V 16 bit              16 bit  write access is 16 bit wide, read access can be 16 or 32 bit wide	connected to F-Bus  Minimum 10000 program/erase cycles Minimum 10 years data retention  Net read cycle time to the memory is 40nS. For overall access time see settings in Chapter 2.1
Boot ROM 2 kB		
DMA	5 channels up to 16 DMA sources can be used  transfer modes: single/block, burst, continuous	



Interrupt Controller	8 external interrupt channels, 38 internal interrupts, 16 programmable priority levels	
Bit Search Module	Searches a word for the position of the first "1" and "0" change bit, starting from the MSB. Performs the search in 1 cycle.	
Fixed Reset Vector	Hardwired reset and mode vector	Code start at 0F:4000H
Voltage Regulator	Generates internal voltage of 3.3 V	

Remark:

Set bit 9 (SYNCR) of TBCR to 1 to enable the synchronisation of the reset signal; a reset will be generated only after all bus accesses have been done. This avoids that erroneous data are written into the RAMs during reset.

## 1.4 Features

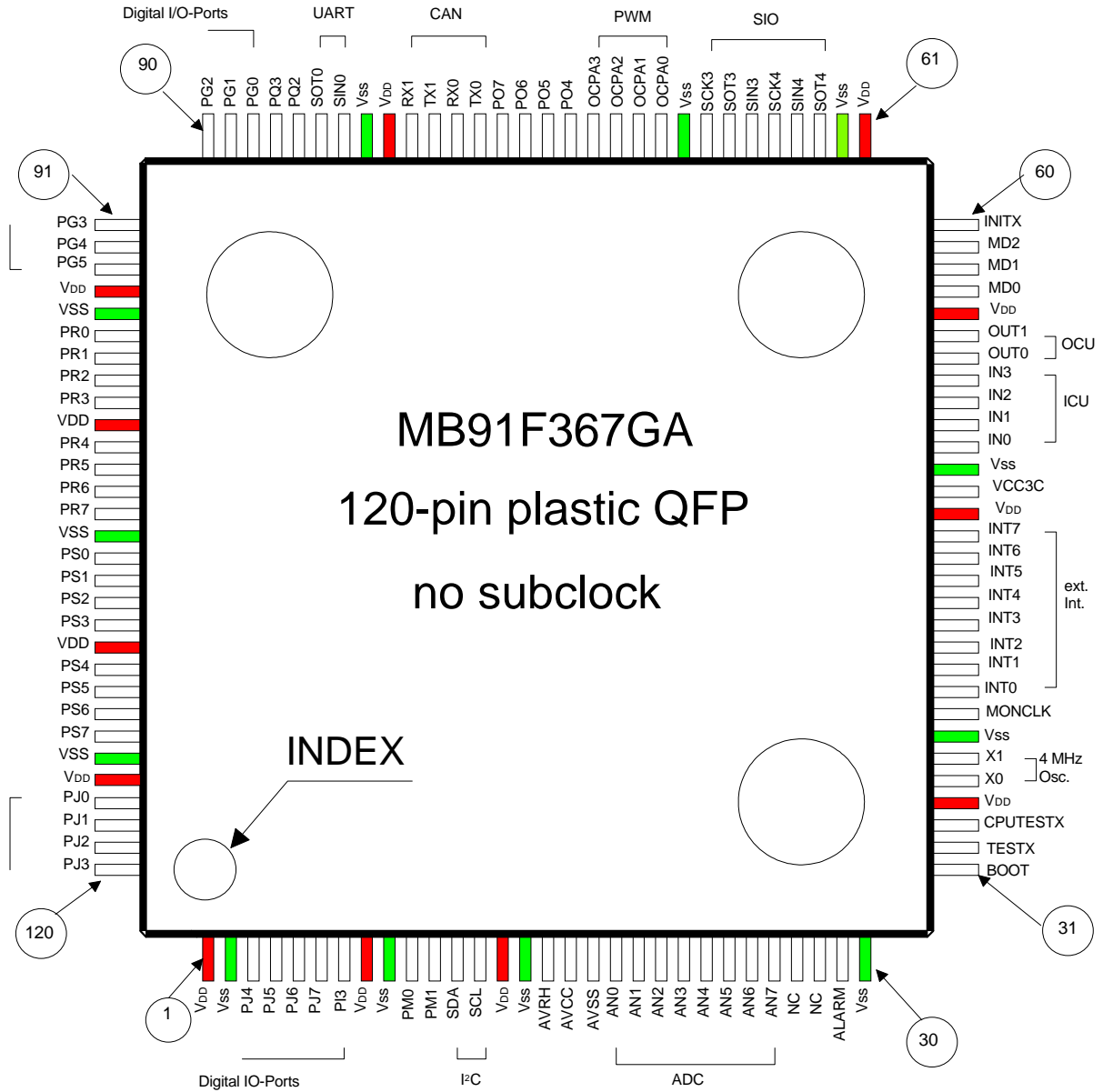
Function	Feature	Remarks
PPG for dimmer (4 channels)	<p>16-bit PWM Timer 16 bit down counter, cycle and duty setting registers interrupt at triggering, cycle or duty match can be triggered by software or reload timer PWM operation and one-shot operation</p> <p>Clock disable</p> <p>internal prescaler allows <math>f_{RES}/1</math>, <math>f_{RES}/4</math>, <math>f_{RES}/16</math>, <math>f_{RES}/64</math> as counter clock</p>	required frequencies are 90-300 Hz
ADC (8 channels)	<p>successive approximation, internal sample and hold circuit 10-bit resolution, 5 V operation, (conversion time: 178 cycles of CLKP) program selectable analogue input channels: single conversion mode continuous conversion mode stop conversion mode</p> <p>interrupt at the end of a conversion can be used to activate DMA transfer</p> <p>activation by software</p> <p>Prescaling is done internally</p> <p>Clock disable</p>	
Basic Interval Timer (3 channels)	16-bit reload timer, includes clock prescaler ( $f_{RES}/2^1$ , $f_{RES}/2^3$ , $f_{RES}/2^5$ )	
CAN (2 channels)	<p>conforms to CAN specification version 2.0 A and B automatic re-transmission in case of error automatic transmission responding to remote frame prioritized 16 message buffers for data and IDs supports multiple messages flexible configuration of acceptance filtering: full bit compare / full bit mask / two partial bit masks supports up to 1 Mb/s Clock Disable</p>	CAN allows TSEG2 = RSJW setting

External Interrupt (8 channels)	can be programmed to be edge sensitive or level sensitive interrupt masking and request pending bits per channel	
I <sup>2</sup> C-1 for standard mode	master or slave transmission arbitration function clock synchronization function slave address and general call address detect function transfer direction detect function start condition repeat generation and detection function bus error detect function  compatible to I <sup>2</sup> C standard mode specifi- cation (operation up to 100 kHz, 7 bit addressing)  includes clock divider functionality  Clock disable	Only I <sup>2</sup> C-1 or I <sup>2</sup> C-2 can be used, not both in parallel. Bit 0 of F362MD will be used to decide which module is connected to the SCL and SDA pads. By default it is I <sup>2</sup> C-1.
I <sup>2</sup> C-2 for standard and fast mode	master or slave transmission arbitration function clock synchronization function slave address and general call address detect function transfer direction detect function start condition repeat generation and detection function bus error detect function  compatible to I <sup>2</sup> C standard and fast mode specification (operation up to 400 kHz, 10 bit addressing)  includes clock divider functionality  Clock disable	Only I <sup>2</sup> C-1 or I <sup>2</sup> C-2 can be used, not both in parallel. Bit 0 of F362MD will be used to decide which module is connected to the SCL and SDA pads. By default it is I <sup>2</sup> C-1.  SCL and SDA lines include optional noise filter. The noise filter allows the suppression of spikes in the range of 1 to 1.5 cycles of CLKP.  Communication on the I2C bus between other connected devices is not possible if MB91F36xGA is not connected to the power supply.
16-bit Input Capture (ICU) (4 channels)	rising edge, falling edge or rising & falling edge sensitive two 16-bit capture registers signals an interrupt at external event Clock disable	
16-bit Output Compare OCU (2 channels)	signals an interrupt when a match with of 16-bit IO timer occurs an output signal can be generated Clock disable	

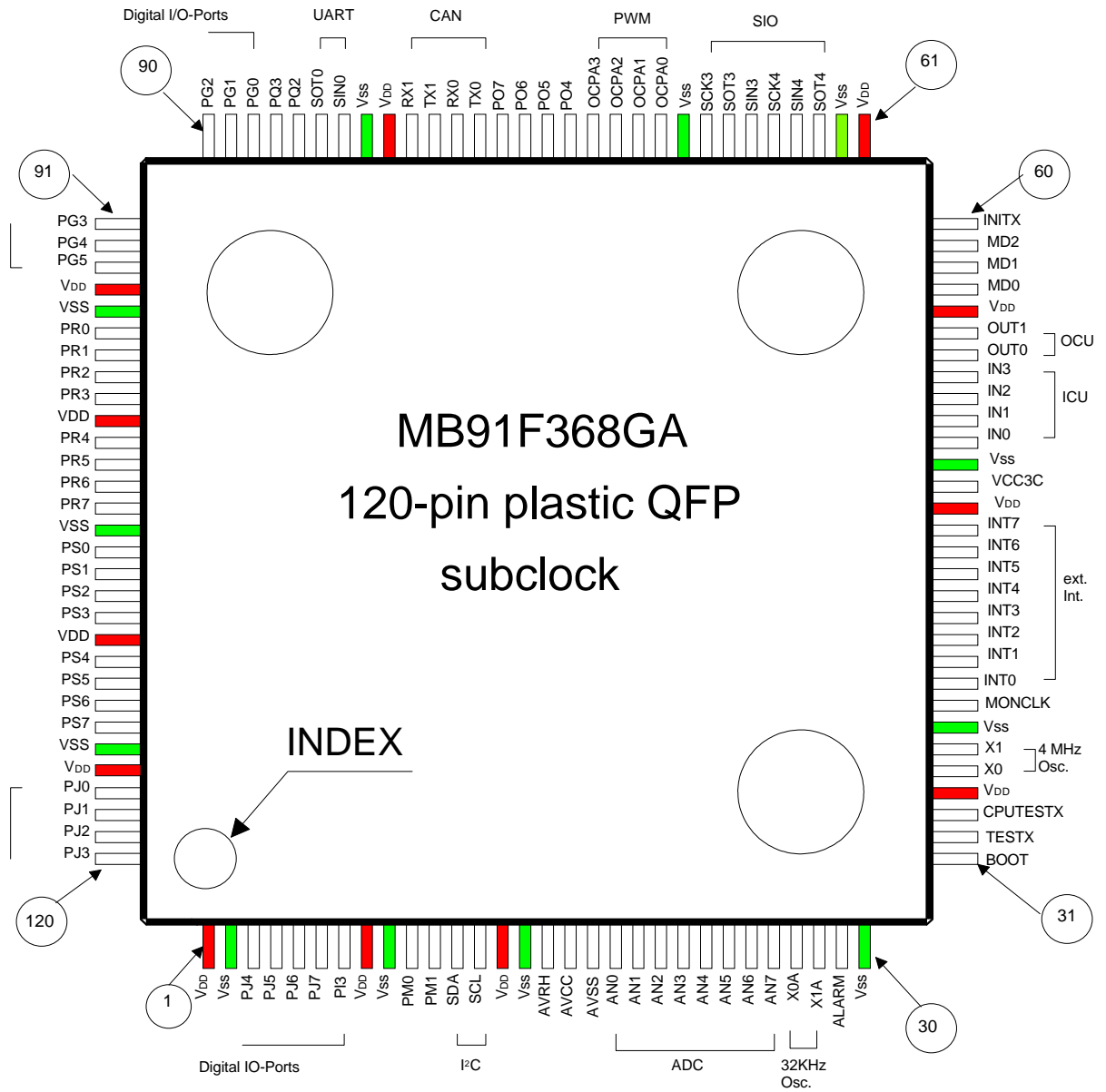


<p>Real Time Clock (RTC) (Watch Timer)</p>	<p>facility to correct oscillation deviation read/write accessible second/minute/ hour registers can signal interrupts every second/ minute/hour/day</p> <p>internal clock divider and prescaler provide exact 1s clock this clock is based on the 4 MHz oscillator or if the subclock option is selected on the 32 kHz subclock</p> <p>Clock disable</p>	<p>prescaler values are 1E847FH , and 4000H for 4MHz and 32.768KHz respectively.</p>
<p>32KHz subclock + calibration unit</p>	<p>In RTC mode, the RTC module can be driven by either 4MHz or 32KHz oscillator, depending on the configuration.</p> <p>Additional hardware which allows calibration of the 32KHz clock based on the 4MHz clock is built in.</p>	<p>This function is only available on MB91F368GA.</p>

# 1.5 Pin Assignment MB91F367GA



# 1.6 Pin Assignment MB91F368GA



## 1.7 I/O Pins and Their Functions

Table 1.7a Pinning

Pin No. QFP120	Pin Name	I/O	General Purpose I/O Port	Circuit Type	Function
1	VDD				
2	VSS				
3	PJ4	I/O	PJ4	A	Digital IO-Port
4	PJ5	I/O	PJ5	A	Digital IO-Port
5	PJ6	I/O	PJ6	A	Digital IO-Port
6	PJ7	I/O	PJ7	A	Digital IO-Port
7	PI3	I/O	PI3	A	Digital IO-Port
8	VDD				
9	VSS				
10	PM0	I/O	PM0	A	Digital IO-Port
11	PM1	I/O	PM1	A	Digital IO-Port
12	SDA	I/O	PM2	Y	I2C SDA (no internal pull-up!)
13	SCL	I/O	PM3	Y	I2C SCL (no internal pull-up!)
14	VDD				
15	VSS				
16	AVRH			R	Analog Voltage Ref. high
17	AVCC				Analog VCC
18	AVSS/AVRL				Ana.Volt.Ref.low/An.VSS
19	AN0	I/O	PH0	B	ADC input
20	AN1	I/O	PH1	B	ADC input
21	AN2	I/O	PH2	B	ADC input
22	AN3	I/O	PH3	B	ADC input
23	AN4	I/O	PH4	B	ADC input
24	AN5	I/O	PH5	B	ADC input
25	AN6	I/O	PH6	B	ADC input
26	AN7	I/O	PH7	B	ADC input
27	X0A	I		I	32 KHz Oscillator Pin (MB91F368GA)
	N.C.				not connected (MB91F367GA)
28	X1A	O		I	32 KHz Oscillator Pin (MB91F368GA)
	N.C.				not connected (MB91F367GA)
29	ALARM	I		D	Alarm Comparator Input
30	VSS				
31	BOOT	I/O	P93	A	BOOT pin
32	TESTX	I		E	Test mode pin
33	CPUTESTX	I		E	Test mode pin
34	VDD				
35	X0	I		H	4 MHz Oscillator Pin
36	X1	O		H	4 MHz Oscillator Pin
37	VSS				
38	MONCLK	O		G	Clock output
39	INT0	I/O	PK0	A	Ext. Interrupt
40	INT1	I/O	PK1	A	Ext. Interrupt
41	INT2	I/O	PK2	A	Ext. Interrupt
42	INT3	I/O	PK3	A	Ext. Interrupt



**Table 1.7a Pinning**

Pin No. QFP120	Pin Name	I/O	General Purpose I/O Port	Circuit Type	Function
43	INT4	I/O	PK4	A	Ext. Interrupt
44	INT5	I/O	PK5	A	Ext. Interrupt
45	INT6	I/O	PK6	A	Ext. Interrupt
46	INT7	I/O	PK7	A	Ext. Interrupt
47	VDD			A	supply pin for internal voltage regulator
48	VCC3/C				Capacitor pin for V. reg.
49	VSS				
50	IN0	I/O	PL0	A	ICU input
51	IN1	I/O	PL1	A	ICU input
52	IN2	I/O	PL2	A	ICU input
53	IN3	I/O	PL3	A	ICU input
54	OUT0	I/O	PL4	A	OCU Output
55	OUT1	I/O	PL5	A	OCU Output
56	VDD				supply pin for internal voltage regulator
57	MD0	I		T	Mode Pin
58	MD1	I		T	Mode Pin
59	MD2	I		T	Mode Pin
60	INITX	I		U	Initial
61	VDD				supply pin for internal voltage regulator
62	VSS				
63	SOT4	I/O	PN0	A	SIO output
64	SIN4	I/O	PN1	A	SIO input
65	SCK4	I/O	PN2	A	SIO clock
66	SIN3	I/O	PN3	A	SIO input
67	SOT3	I/O	PN4	A	SIO output
68	SCK3	I/O	PN5	A	SIO clock
69	VSS				
70	OCPA0	I/O	PO0	A	PPG output
71	OCPA1	I/O	PO1	A	PPG output
72	OCPA2	I/O	PO2	A	PPG output
73	OCPA3	I/O	PO3	A	PPG output
74	PO4	I/O	PO4	A	Digital IO-Port
75	PO5	I/O	PO5	A	Digital IO-Port
76	PO6	I/O	PO6	A	Digital IO-Port
77	PO7	I/O	PO7	A	Digital IO-Port
78	TX0	I/O	PP0	Q	CAN TX output
79	RX0	I/O	PP1	Q	CAN RX output
80	TX1	I/O	PP2	Q	CAN TX output
81	RX1	I/O	PP3	Q	CAN RX output
82	VDD				
83	VSS				
84	SIN0	I/O	PQ0	A	UART input
85	SOT0	I/O	PQ1	A	UART output
86	PQ2	I/O	PQ2	A	Digital IO-Port
87	PQ3	I/O	PQ3	A	Digital IO-Port
88	PG0	I/O	PG0	A	Digital IO-Port
89	PG1	I/O	PG1	A	Digital IO-Port

**Table 1.7a Pinning**

Pin No. QFP120	Pin Name	I/O	General Purpose I/O Port	Circuit Type	Function
90	PG2	I/O	PG2	A	Digital IO-Port
91	PG3	I/O	PG3	A	Digital IO-Port
92	PG4	I/O	PG4	A	Digital IO-Port
93	PG5	I/O	PG5	A	Digital IO-Port
94	VDD				
95	VSS				
96	PR0	I/O	PR0	K1	Digital IO-Port
97	PR1	I/O	PR1	K1	Digital IO-Port
98	PR2	I/O	PR2	K1	Digital IO-Port
99	PR3	I/O	PR3	M1	Digital IO-Port
100	HVDD				VDD for ports R and S
101	PR4	I/O	PR4	K1	Digital IO-Port
102	PR5	I/O	PR5	K1	Digital IO-Port
103	PR6	I/O	PR6	K1	Digital IO-Port
104	PR7	I/O	PR7	M1	Digital IO-Port
105	VSS				
106	PS0	I/O	PS0	K1	Digital IO-Port
107	PS1	I/O	PS1	K1	Digital IO-Port
108	PS2	I/O	PS2	K1	Digital IO-Port
109	PS3	I/O	PS3	M1	Digital IO-Port
110	HVDD				VDD for ports R and S
111	PS4	I/O	PS4	K1	Digital IO-Port
112	PS5	I/O	PS5	K1	Digital IO-Port
113	PS6	I/O	PS6	K1	Digital IO-Port
114	PS7	I/O	PS7	M1	Digital IO-Port
115	VSS				
116	VDD				
117	PJ0	I/O	PJ0	A	Digital IO-Port
118	PJ1	I/O	PJ1	A	Digital IO-Port
119	PJ2	I/O	PJ2	A	Digital IO-Port
120	PJ3	I/O	PJ3	A	Digital IO-Port

Remark: Pin 31 (BOOT) should be low by default (pull down resistor).

To avoid disturbances in case of reset/boot it should preferably only be used as output by any application.

**Table 1.7b Circuit Types**

Circuit Type	Description
A	I/O, IOH=4 mA / IOL=4 mA, CMOS Automotive Schmitt-Trigger Input, STOP control
B	I/O, IOH=4 mA / IOL=4 mA, CMOS Automotive Schmitt-Trigger Input, Analog Input, STOP control
D	Analog Input
E	CMOS Schmitt-Trigger Input, 50K Pull-up
G	Tristate Output, IOH=4 mA / IOL=4 mA
H	4 MHz Oscillator Pin
I	32KHz Oscillator Pin
K1	I/O, IOH=30 mA / IOL=30 mA, CMOS Automotive Schmitt-Trigger Input, STOP control
M1	I/O, IOH=30 mA / IOL=30 mA, CMOS Automotive Schmitt-Trigger Input, Analog Input, STOP control
Q	I/O, IOH=4 mA / IOL=4 mA, CMOS Input, STOP control
R	AVRH Input
T	CMOS Input, can withstand VID for flash programming
U	CMOS Schmitt-Trigger Input, 50K Pull-up
Y	I/O, IOH=3mA / IOL=3mA (I2C), CMOS Input, STOP control

## 1.8 Flash Memory Mode of MB91F367GA/F368GA

To enter the flash memory mode set mode pins MD0 to MD2 to “111”. Assert INITX for at least 500 ns to enter this mode.

The following tables show the pins which are required for the programming procedure and also describe the states for the pins not used in flash memory mode. Most of the not used pins are in their reset state (high-Z outputs, enabled inputs). To prevent misbehavior or damage these pins must be tied to VDD or VSS through resistors - see following tables for details.

Aside from the functional pins described below all power pins should be connected to a power supply in the specified range, capacitances should be connected to the VCC3C pin as recommended.

**Table 1: Flash Control Signals**

MB91F367GA/F368GA			MBM29LV400C	Notes
Pin number	Normal function	Flash Memory mode		
31	BOOT	$\overline{WE}$	$\overline{WE}$	
32	TESTX	$\overline{BYTE}$	$\overline{BYTE}$	
33	CPUTESTX	TMODX		pull up
38	MONCLK	RY/ $\overline{BY}$	RY/ $\overline{BY}$	
39-46	INT0-INT7	D24 to D31	DQ8 to DQ15	
50	IN0	$\overline{CE}$	$\overline{CE}$	
51	IN1	$\overline{OE}$	$\overline{OE}$	
52	IN2	D20	DQ4	
53	IN3	D21	DQ5	
54	OUT0	D22	DQ6	
55	OUT1	D23	DQ7	
57	MD0	VDA9	A9 (VID)	
58	MD1	VDRS	$\overline{RESET}$ (VID)	
59	MD2	VDOE	$\overline{OE}$ (VID)	
60	INITX	$\overline{RESET}$	$\overline{RESET}$	
91-93	PG3-PG5	A16-A18	A15-A17	
96	PR0	A0	A-1	
97	PR1	A1	A0	
98	PR2	A2	A1	
99	PR3	A3	A2	

**Table 1: Flash Control Signals**

MB91F367GA/F368GA			MBM29LV400C	Notes
Pin number	Normal function	Flash Memory mode		
101	PR4	A4	A3	
102	PR5	A5	A4	
103	PR6	A6	A5	
104	PR7	A7	A6	
106	PS0	A8	A7	
107	PS1	A9	A8	
108	PS2	A10	A9	
109	PS3	A11	A10	
111	PS4	A12	A11	
112	PS5	A13	A12	
113	PS6	A14	A13	
114	PS7	A15	A14	
117 to 120	PJ0-PJ3	D16 to D19	DQ0 to DQ3	

**Table 2: Pins not used in Flash Memory Mode**

MB91F367GA/F368GA			
Pin number	Normal function	Pin State	Notes
35	X0	input	pull up
36	X1	output	leave open
66	SIN3	output	leave open
67	SOT3	output	leave open
68	SCK3	output	leave open
27	X0A	input	pull up
28	X1A	output	leave open
29	ALARM	input	pull up
all other signals		input	pull up

# CHAPTER 2 Additional information

## 2.1 Flash Interface

### 2.1.2 Flash Control Status Register (FMCS)

address	bit 7	bit6	bit 5	bit 4	bit 3	bit 2	bit 1	bit 0
00007000H	FACCEN	----	----	RDYEG	RDY	RDYI	WE	LPM
access	R/W	R/W	R/W	R	R	R/W	R/W	R/W
initial value	1	1	1	0	X	0	0	0
value after Boot ROM	0	1	1	0	X	0	0	0

Bit 7: FACCEN: Controls read access mode to flash

- 0: Synchronous read access using ATDIN and EQIN signals - recommended setting
- 1: Asynchronous read access

Bits 6,5: reserved

when writing to these bits always write "11"

Bit 4: RDYEG:

When the auto algorithm of flash memory is finished, this bit is set to '1'.

This bit is cleared by reading it.

0: Auto algorithm not yet finished

1: Auto algorithm finished

Bit 3: RDY:

The state of auto algorithm

0: The state of the auto algorithm is WRITE/READ. Can't accept WRITE/READ/DELETE.

1: It is possible to accept WRITE/READ/DELETE.

Bit 2: RDYI: Reserved bit

Bit 1: WE: This bit is used to control writing and reading to flash memory in CPU mode

0: writing to flash memory is disabled, read access is 32 bit wide

1: writing enabled, read access 16 bit wide, auto algorithm can be used

This bit can only be written to if RDY is 1.

Bit 0: LPM:

0: normal mode

1: low power mode, can be used when CPU frequency is below 5 MHz

## 2.1.3 Flash Wait Control Register (FMWT)

address	bit 7	bit 6	bit 5	bit 4	bit 3	bit 2	bit 1	bit 0
0000700 4H	----	----	FAC1	FAC0	EQINH	WTC2	WTC1	WTC0
access		R/W	R/W	R/W	R/W	R/W	R/W	R/W
initial value		0	0	0	0	0	1	1
value after Boot ROM		0	0	1	0	0	1	1

Bit 6: This bit is reserved, always set this bit to "0" when writing to this register.

Bits 5,4: These bits control the length of the high pulse for the ATDIN signal

FAC1	FAC0	length of high pulse for ATDIN
0	0	0.5 cycles of CLKB
0	1	1 cycle of CLKB
1	0	1.5 cycles of CLKB
1	1	2 cycles of CLKB

Bit 3: EQINH: This bit controls the falling edge of the EQIN signal.

0: falling edge of EQIN at falling edge of FWAITR;

1: falling edge of EQIN half cycle after falling edge of FWAITR;

Bit 2,1,0: WTC2,1,0: Wait Cycle bits

WTC2-0 are used to insert auto wait cycles for flash memory access.

WTC2	WTC1	WTC0	wait cycles
0	0	0	0
0	0	1	1
0	1	0	2
0	1	1	3
1	0	0	4

WTC2	WTC1	WTC0	wait cycles
1	0	1	5
1	1	0	6
1	1	1	7

Recommended settings for FAC1, FAC0 and WTC2 to WTC0 for **read** access to the flash memory:

- Without applying clock modulation:

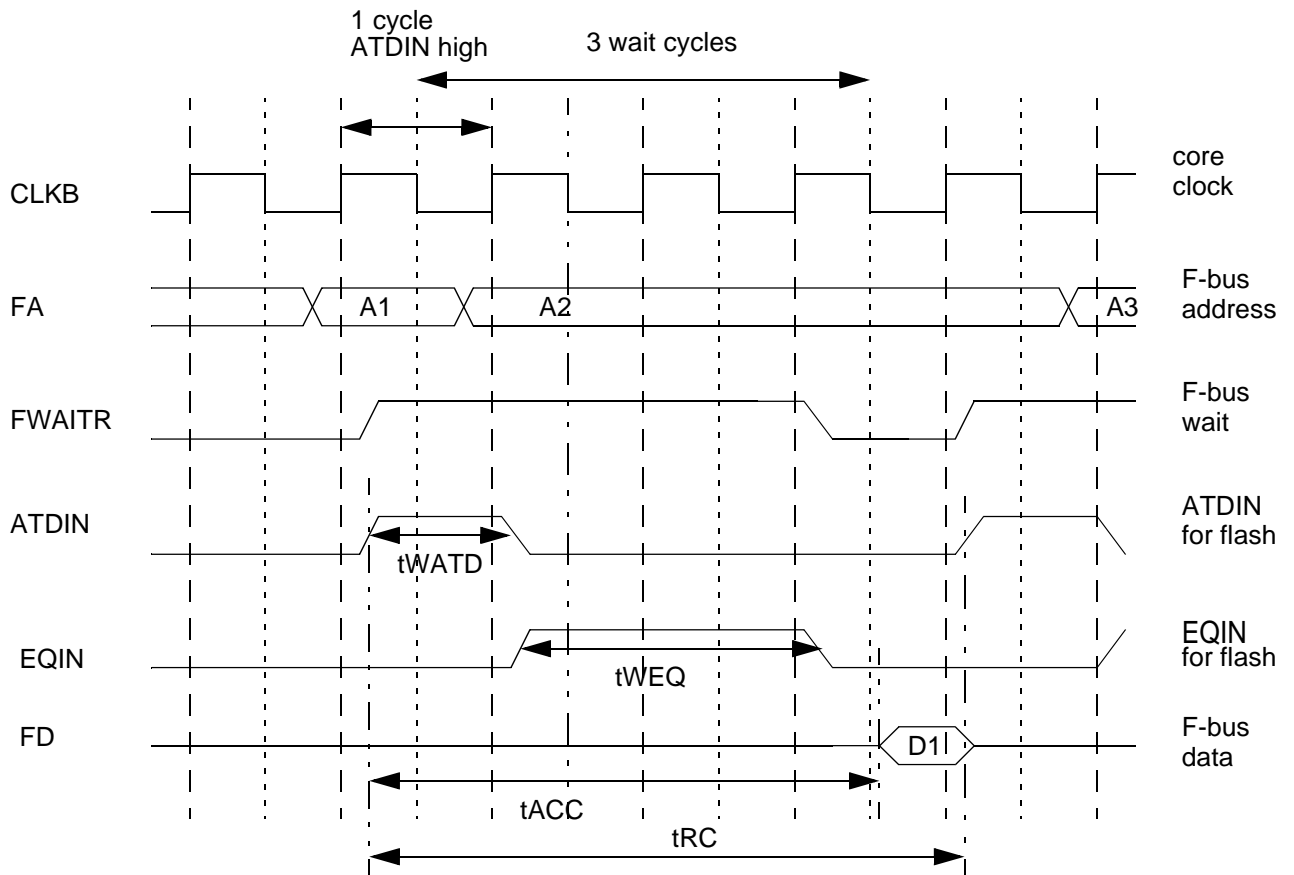
CLKB unmodulated core clock frequency [MHz]	FAC1	FAC0	EQINH	WTC2	WTC1	WTC0	ATDIN high cycles/wait cycles	FMWT
32	0	0	1	0	0	1	0.5 / 1	09H
24	0	0	0	0	0	1	0.5 / 1	01H
16	0	0	0	0	0	1	0.5 / 1	01H

- When applying clock modulation:

CLKB core clock frequency [MHz]	Peak max. frequency	FAC1	FAC0	EQINH	WTC2	WTC1	WTC0	ATDIN high cycles/wait cycles	FMWT
32	64	0	1	0	0	1	1	1 / 3	13H
32	48	0	0	0	0	1	0	0.5 / 2	02H
24	40	0	0	0	0	1	0	0.5 / 2	02H
24	32	0	0	1	0	0	1	0.5 / 1	09H
16	24	0	0	0	0	0	1	0.5 / 1	01H



Example for flash memory read access with 1 cycle for the high time of ATDIN and 3 wait cycles:



The minimum value for  $t_{WATD}$  is 10 ns, the minimum value for  $t_{WEQ}$  is 20 ns.

The minimum value for  $t_{RC}$  is 40 ns.

The maximum value for  $t_{ACC}$  is  $t_{WATD} + t_{WEQ} + 5$  ns.

Recommended settings for WTC2 to WTC0 for **write** access to the flash memory, FACCEN of FMCS should be set to 1 for writing, so FAC1, FAC0, EQINH register settings then have no meaning for the write operation

:

- Without applying clock modulation:

CLKB unmodulated core clock frequency [MHz]	WTC2	WTC1	WTC0	Wait cycles	FMWT
32	0	1	0	2	X2H
24	0	1	0	2	X2H
16	0	0	1	1	X1H

- When applying clock modulation:

CLKB core clock frequency [MHz]	Peak max. frequency	WTC2	WTC1	WTC0	Wait cycles	FMWT
32	64	setting not allowed for writing				
32	48	1	0	0	4	X4H
24	40	1	0	0	4	X4H
24	32	0	1	0	2	X2H
16	24	0	1	0	2	X2H

## 2.2 F362 Mode Register (F362MD)

address	bit 15	bit14	bit 13	bit 12	bit 11	bit 10	bit 9	bit 8
00001FEH	----	---	----	----	----	----	----	IICSEL
access		R/W	R/W	R/W	R/W	R/W	R/W	R/W
initial value		0	0	0	0	0	0	0

Bit 15-9: reserved, when writing to bits 15-9, always write "0000000"

Bit 8: IICSEL

0: selection of 100 kHz I2C interface (I2C-1)

1: selection of 400 kHz I2C interface (I2C-2)

## 2.3 Oscillation stabilization time

For a mode setting of MD[2:0] = "000" the following settings of OS1 and OS0 bits in the standby control register (STCR) will be implemented:

OS1	OS0	Oscillation stabilization wait time	time based on 4 MHz oscillator ( $\phi$ )
0	0	$\phi * 2^{16}$	32 ms (initial value)
0	1	$\phi * 2^{11}$	1 ms
1	0	$\phi * 2^{16}$	32 ms
1	1	$\phi * 2^1$	1 $\mu$ s

## 2.4 Subclock RTC32 (CLKR2)

This register is used to control the RTC32 mode bit for use in subclock system.

address	bit 15	bit 14	bit 13	bit 12	bit 11	bit 10	bit 9	bit 8
000046H	----	----	----	----	----	----	----	RTC32
access						R/W	R/W	R/W
initial value						0	0	0

Bit [15:11]: reserved

Bit [10:9]: reserved, always write 0 back when writing to these bits.

Bit 8: RTC32

0: RTC32KHI mode, high power mode of internal voltage regulator used in RTC mode

1: RTC32KLO mode, low power mode of internal voltage regulator used in RTC mode

Always set this bit to 1 when using the RTC mode based on the 32 kHz subclock. This is only available for MB91F368GA.

## 2.5 Boot ROM

The following settings have been implemented in the BOOT ROM of MB91F367GA/F368GA:

- Flash area: 08:0000 to 0F:FFF7
- Security Vector at 0F:FEF4
- Security vector valid in ranges 08:0000-0F:FFFF
- Program entry at 0F:4000
- ROM stamp at 05:0500
- Flash registers initialized to FMCS=0x60, FMWT=0x13

## **CHAPTER 3 IO-Map**

see appendix A.

The addresses shown in this table for CAN registers are based on the settings for CS7 done in the Boot ROM.

## **CHAPTER 4 Interrupt Vector Table**

see appendix B

## **CHAPTER 5 Power-on-sequence**

All VDD pins should be connected to the same potential. The analogue supply voltage (AVCC) must not be turned on before the digital supply voltage.

Immediately after power on always execute INIT at the INITX pin (input a low level to the INITX pin). Hold this low level at the INITX pin long enough so that after release of the low level at INITX and the passing of the built in waiting time stable oscillation of the oscillation circuit is achieved. INITX must be pulled low for at least 8 cycles of the 4 MHz oscillation clock.

## **CHAPTER 6 Handling of Unused Input Pins**

Leaving unused input pins open may result in misbehavior or latch up and possible permanent damage of the device. Therefore they must be tied to VDD or VSS through resistors. In this case those resistors should be more than 2 KOhm.

Unused bidirectional pins should be set to the output state and can be left open, or the input state with the above described connection.

The resistor of more than 2 KOhm is used to limit currents through the protection diodes. In case of voltages at the unused pin of 0.3 V or more below VSS or 0.3 V or more above VDD currents which could cause latch-up will flow through those diodes. It is possible to use one resistor to connect several pins to VDD or VSS. Care should be taken not to connect pins from different supply voltage domains to one resistor.

## CHAPTER 7 Emulation Device

MB91FV360GA can be used as an emulation device for MB91F367GA/F368GA. MB91F367GA/F368GA use the following resources of MB91FV360GA (see MB91FV360GA IO-Map):

- Reload Timer 0 - Reload Timer 2
- UART 0 / U-Timer 0
- SIO 0 - SIO 1 and their Prescalers
- I<sup>2</sup>C (100KHz and 400KHz)
- A/D Converter (channels 0 - 7)
- Input Capture 0 - Input Capture 3
- Output Compare 0 - Output Compare 1
- Free Running Counter 0 - Free Running Counter 1
- Real Time Clock
- 32 kHz subclock and calibration unit - MB91F368GA only
- Programmable Pulse Generators: PWM Control 0, PWM channels 0 - 3
- Power down reset
- Alarm Comparator
- CAN0 - CAN 1
- User RAM 16KB: address range: 03C000-03FFFF
- F-Bus RAM 16KB: address range: 040000-043FFF
- I-RAM 4KB: address range: 011000-011FFF

Note: Because reload timers 3 to 5 are not available on this device, the ADC cannot be triggered by a reload timer - on MB91FV360GA and other devices reload timer 4 is connected to the ADC

## CHAPTER 8 Package

A QFP-120 package called FPT-120P-M21 (0.5 mm pin pitch) will be used for MB91F367GA/F368GA. The thermal resistance of this package is 30 degr. C/W.

Thermal resistance [degr. C/W]			
theta-ja (junction to ambient)			theta-jc (junction to case)
0 m/s	1 m/s	3 m/s	
30	27	25	5

The maximum allowed ambient temperature is 85 degr. C, the maximum allowed junction temperature is 125 degr.C. Under these conditions a maximum power consumption of  $(125 \text{ degr. C} - 85 \text{ degr. C}) / 30 \text{ C/W} = 1.33 \text{ W}$  is allowed. The user must make sure that the maximum ambient temperature is not exceeded.

For other details about the package see Fujitsu Semiconductor Package Data Book.



## CHAPTER 9 Electrical specification

### 9.1 Absolute maximum ratings

Parameter	Symbol	min.	max.	Unit	Condition
Digital supply voltage	VDD-VSS	-0.3	6.0	V	
Storage temperature	$\vartheta_{ST}$	-55	125	°C	
Power consumption	PTOT		1330	mW	$\vartheta_{ambient} = 25^{\circ}C$
Digital input voltage	VIDIG	-0.3 *	5.8	V	VSS=0V, VDD=5V
Analog input voltage	VIA	-0.3	5.8	V	VSSA=0V, VDDA=5V
Analog supply voltage	VDDA-VSSA	-0.3	5.8	V	VSSA=0V
Analog reference voltage	VREFH/L - VSSA	-0.3	5.8	V	VSSA=0V
Static DC current into digital I/O	I/ODC	-2	2	mA	$\sum I/ODC < I_{Soperation}$

\* Making full use of the allowed static DC current into digital I/Os will lead to lower values here.

### 9.2 Operating conditions

Parameter	Symbol	min.	typ.	max.	Unit	Condition
Operating temperature	$\vartheta_{OP}$	-40		85	°C	
<b>Supply voltage</b>						
- Digital supply	VDD-VSS	4.25 <sup>1)</sup>	5	5.25	V	Internal voltage reg. VDDCORE=3.3V
- Analog supply	VDDA-VSSA	4.9	5	5.1	V	VSSA=0V
<b>Current consumption</b>						
-run mode <sup>3)</sup>	I <sub>srn</sub>		see	below	mA	
-RTC mode	I <sub>sRTC4</sub> I <sub>sRTC32</sub>		0.5 TBD	1.25 0.5	mA mA	f <sub>clk</sub> =4MHz@ $\vartheta_{op}$ =25°C f <sub>clk</sub> =32KHz@ $\vartheta_{op}$ =25°C
-stop mode	I <sub>sstop</sub>		10	200	μA	f <sub>clk</sub> =0 @ $\vartheta_{op}$ =25°C
<b>RAM data retention voltage</b>	VDD-VSS	3.0			V	

<b>Alarm comparator</b> - Threshold voltages - overvoltage  - undervoltage  - Switching hysteresis  - Alarm sense time  - Input resistance	V <sub>TAH</sub>	$\frac{4}{5} V_{DDA}$ -5%	$\frac{4}{5} V_{DDA}$	$\frac{4}{5} V_{DDA}$ +5%	V	(external 4:1 divider)   at V <sub>TAH</sub> , V <sub>TAL</sub>
	V <sub>TAL</sub>	$\frac{2}{5} V_{DDA}$ -5%	$\frac{2}{5} V_{DDA}$	$\frac{2}{5} V_{DDA}$ +5%	V	
	V <sub>TAHYS</sub>	12.5	25	50	mV	
	t <sub>AS</sub>			10	μs	
	R <sub>in</sub>	5			MΩ	
<b>Power down Reset</b> - Threshold voltage - Switching hysteresis - Reset sense time	V <sub>TPOR</sub>	3.5	4.0	4.5	V	
	V <sub>TPORHYS</sub>	20	50	80	mV	
	t <sub>RS</sub>			10	μs	
<b>Digital Inputs</b> <sup>2)</sup> CMOS (Type: Q) - High voltage range - Low voltage range CMOS Schmitt-Trigger (Types: E, U) - High voltage range - Low voltage range CMOS Automotive Schmitt-Trigger (Types: A, B, W, X) - High voltage range - Low voltage range  - Hysteresis voltage  - Input capacitance - Input leakage current - Pull up resistor	V <sub>IH</sub>	0.65*VDD		VDD	V	V <sub>min</sub> =4.25V V <sub>min</sub> =4.75V  Types: E, U θ <sub>op</sub> =25°C
	V <sub>IL</sub>	VSS		0.25*VDD	V	
	V <sub>IH</sub>	0.8*VDD		VDD	V	
	V <sub>IL</sub>	VSS		0.2*VDD	V	
	V <sub>IH</sub>	0.8*VDD		VDD	V	
	V <sub>IL</sub>	VSS		0.5*VDD	V	
			0.5	0.6*VDD	V	
	C <sub>IN</sub>			16	pF	
	I <sub>IL</sub>	-1		1	μA	
	R <sub>up1</sub>		50		kΩ	
<b>Digital outputs</b> - Output "H" voltage - Output "L" voltage	V <sub>OH</sub>	VDD-0.5		VDD	V	I <sub>load</sub> = 4mA
	V <sub>OL</sub>	VSS		VSS+0.4	V	I <sub>load</sub> = -4mA



## 9.3 Run Mode Current/Power consumption

The power dissipation during normal operation is determined by the total power dissipation of the internal logic  $P_C$ , the dissipation from analog modules  $P_A$  and the power dissipation  $P_{IO}$  of the I/O buffers. Among the I/O buffers the dissipation caused by the stepper motor drivers  $P_{SMC}$  should be taken into special consideration.

So the overall power consumption  $P_D$  will be calculated as a sum of  $P_C + P_A + P_{IO}$ .

### 9.3.1 Logic Power Consumption

The following formula can be used to calculate the maximum core current consumption when the PLL is used depending on the frequency settings for the internal clocks:

$$I_{CC} = 3.45[\text{mA/MHz}] * CLKB[\text{MHz}] + 2.52[\text{mA/MHz}] * CLKP[\text{MHz}] + 0.72[\text{mA/MHz}] * CLKT[\text{MHz}] + 35.5 \text{ mA.}$$

If clock modulation is used the following value must be added to this result:  $0.24[\text{mA/MHz}] * CLKB[\text{MHz}]$ .

This results in the following values:

Clock frequencies [MHz]			Maximum Core Current Consumption [mA]	Logic Power Consumption $P_C$ at 5.25 V [mW]	Remarks
CLKB	CLKP	CLKT			
32	16	16	205	1.08	
24	24	24	202	1.06	
24	12	12	163	0.86	
16	16	16	146	0.77	
2	2	2	40	0.21	no PLL, no clock modulation
0.125	0.125	0.125	30	0.16	no PLL, no clock modulation

**Note: Higher frequency settings cannot be allowed in the package currently used. For higher frequency settings the maximum power consumption would exceed the maximum allowed value of 1.33W.**

In addition to this power consumption of the MCU core logic the following contributions to the overall power consumption have to be considered:

### 9.3.2 Analog Power Consumption

Module	Maximum Current Consumption	Remarks
DAC	1 mA / channel	
ADC	7 mA	
Power down reset	0.5 mA	
Alarm Comparator	0.5 mA	

To calculate the analog power consumption  $P_A$ , the current contributions of the active modules have to be multiplied by the maximum analog supply voltage of 5.1 V.

### 9.3.3 I/O Power Consumption

#### I/O Buffers:

The power dissipation ( $P_{IO}$ ) (at 5.25 V) of the I/O buffers is represented as the sum of the dynamic power dissipation ( $P_{AC}$ ) and the static power consumption ( $P_{DC}$ ).

$$P_{IO} = P_{AC} * 1.1 + P_{DC}$$

The following table lists values for  $P_{AC}$ :

Buffer Type	Power Consumption	Unit
Normal Input	12.4	$\mu\text{W}/\text{MHz}$ @ 5.0V
Bidirectional Input		
4 mA Bidirectional Output	194 + 25 CL	
4 mA Output		
8 mA Bidirectional Output	353 + 25 CL	
8 mA Output		

$$P_{AC} = P_{IB} * I_n * f * \text{operating rate} + P_{OB} * O_n * f * \text{operating rate}$$

$P_{IB}$ : Power Consumption of Input Buffers and Bidirectional Inputs

$P_{OB}$ : Power Consumption of Output Buffers and Bidirectional Outputs

$I_n$ : Total number of input buffers and bidirectional buffer inputs

$O_n$ : Total number of output buffers and bidirectional buffer outputs

$f$ : System frequency

Operating rate: 1.0 if all buffers are switched simultaneously at system frequency

$P_{DC}$  is the caused by off chip loads which are drawing static currents.

$$P_{DC} = V_O * I_O * DCN$$

VO: Output voltage drop - usually 0.4 V  
IO: Output current - usually 4 mA  
DCN: Number of output buffers and bidirectional buffers driving off chip loads causing static currents.

## 9.4 Converter Characteristics

- A/D Converter

Parameter	Symbol	Rating			Unit	Remark
		Minimum	Typical	Maximum		
Resolution				10	Bit	
Conversion error				+/- 5.0	LSB	overall error
Non-linearity				+/-2.5	LSB	
Differential Non-linearity				+/-1.9	LSB	
Zero Reading voltage	V <sub>0T</sub>	AVRL -3.5	AVRL+0.5	AVRL+4.5	LSB	
Full scale reading voltage	V <sub>FST</sub>	AVRH-5.5	AVRH-1.5	AVRH+2.5	LSB	
Input current (VDDA)	I <sub>A</sub>		3.0	7.0	mA	
Reference voltage current	I <sub>R</sub>		1.6	2.6	mA	

## 9.5 Clock settings

Clock domain	Clock name	Max. frequency	Remark
Core	CLKB	64 MHz	for supply voltage between 4.25 and 5.25 V
		32 MHz	for supply voltage between 4.25 and 3.5 V
Resource bus	CLKP	32 MHz	
Ext. Bus	CLKT	32 MHz	
Clock for CAN	CANCLK	32 MHz	

**Note:** Because of the maximum allowed current consumption setting all clocks to their maximum values is not possible in the current package. See calculation of power consumption above. However, clock modulation up to the frequencies specified above is still possible. In the case of modulation over 58 MHz no odd division factor (3,5,7,9,11,13) for CLKT must be selected.

## 9.6 Clock modulator settings

The clock modulator is a module to reduce EME (Electromagnetic Emission) problems by spreading the energy of the system over a wide range of the frequency spectrum. In order to allow optimization of system performance versus EME reduction, the modulator is programmable over a wide modulation range.

<b>Clock Modulator</b>	<b>Input Frequency [MHz]</b>	<b>Number of operational settings for Clock Modulator</b>
ON	32	8
ON	24	11
ON	16	14

Detailed information about Clock Modulator operation and settings is available from Fujitsu on request.



# Appendix A I/O Map

Version 1.3, 2000/02/28

**Table A lists the addresses for the registers used by the internal peripheral functions of the MB91F367GA/F368GA.**

- How to Read the I/O Map

Address	Register				Internal peripheral
	+0	+1	+2	+3	
000014H	PDRG [R/W] XXXXXXXX	PDRH [R/W] XXXXXXXX	PDRI [R/W] ----XXXX	—	Port data register

Read/write attribute

Register initial value after a reset (bit initial values)

“1”: initial value “1”, “0”: initial value “0”,

“x”: initial value “X” (indeterminate),

“—” indicates non-existent bits

Register name (The register in column 1 is at location 4n, the register in column 2 at 4n+1, and so on.)

Location of far left of register (+0). +1, +2, and +3 each increment the location by one. When performing word access, the register in column 1 is placed at the MSB end of the data.

### Precautions:

- Do not use RMW instructions on registers containing write-only (W) bits.

RMW instructions(RMW:read-modify-write)

AND Rj, @Ri    OR Rj, @Ri    EOR Rj, @Ri

ANDH Rj, @Ri    ORH Rj, @Ri    EORH Rj, @Ri

ANDB Rj, @Ri    ORB Rj, @Ri    EORB Rj, @Ri

BANDL #u4, @Ri    BORL #u4, @Ri    BEORL #u4, @Ri

BANDH #u4, @Ri    BORH #u4, @Ri    BEORH #u4, @Ri

- The data in reserved areas and areas marked “—” is indeterminate. Do not use those areas!

Address	Register				Block
	+0	+1	+2	+3	
000000H	Reserved				T-unit Port Data Register
000004H	Reserved				
000008H	Reserved				
00000CH	Reserved				

Address	Register				Block
	+0	+1	+2	+3	
000010H	PDRG [R/W] XXXXXXXX	PDRH [R/W] XXXXXXXX	PDRJ [R/W] X --- X ---	PDRJ [R/W] XXXXXXXX	R-bus Port Data Register
000014H	PDRK [R/W] XXXXXXXX	PDRL [R/W] XXXXXXXX	PDRM [R/W] ---- XXXX	PDRN [R/W] -- XXXXXX	
000018H	PDRO [R/W] XXXXXXXX	PDRP [R/W] -- XXXXXX	PDRQ [R/W] -- XXXXXX	PDRR [R/W] XXXXXXXX	
00001CH	PDRS [R/W] XXXXXXXX				
000020H   00003CH					Reserved
000040H	EIRR [R/W] 00000000	ENIR [R/W] 00000000	ELVR [R/W] 00000000 00000000		Ext int/NMI
000044H	DICR [R/W] ----- 0	HRCL [R/W] 0 -- 11111	CLKR2 [R/W] ----- 000	reserved	DLYI/I-unit RTC
000048H	TMRLR0 [W] XXXXXXXX XXXXXXXX		TMR0 [R] XXXXXXXX XXXXXXXX		Reload Timer 0
00004CH	_____		TMCSR0 [R/W] ---- 0000 ---- 00000		
000050H	TMRLR1 [W] XXXXXXXX XXXXXXXX		TMR1 [R] XXXXXXXX XXXXXXXX		Reload Timer 1
000054H	_____		TMCSR1 [R/W] ---- 0000 ---- 00000		
000058H	TMRLR2 [W] XXXXXXXX XXXXXXXX		TMR2 [R] XXXXXXXX XXXXXXXX		Reload Timer 2
00005CH	_____		TMCSR2 [R/W] ---- 0000 ---- 00000		
000060H	SSR0 [R/W] 00001 - 00	SIDR0 [R/W] XXXXXXXX	SCR0 [R/W] 00000100	SMR0 [R/W] 00 -- 0 - 0 -	UART0
000064H	ULS0 [R/W] ---- 0000				
000068H	UTIM0/UTIMR0 [R/W] 00000000 00000000		DRCL0 [W] -----	UTIMC0 [R/W] 0 --- 0 - 01	U-TIMER 0
00006CH	_____				Reserved
000070H					
000074H					
000078H					
00007CH					
000080H					

Address	Register				Block
	+0	+1	+2	+3	
000084H	SMCS0 [R/W] 00000010 ---- 00-0		SES0 [R/W] ----- 00	SDR0 [R/W] 00000000	SIO 0
000088H	SMCS1 [R/W] 00000010 ---- 00 - 0		SES1 [R/W] ----- 00	SDR1 [R/W] 00000000	
00008CH	CDCR0 [R/W] 0 --- 1111	Reserved	CDCR1 [R/W] 0 --- 1111	Reserved	SIO 0/1 Prescaler
000090H					Reserved
000094H	IBCR [R/W] 00000000	IBSR [R] 00000000	IADR [R/W] -XXXXXXXX	ICCR [R/W] -- 0XXXXX	I2C (old)
000098H		IDAR [R/W] XXXXXXXXXX		IDBL [R/W] -----0	-> new I2C from address 0x184
00009CH	ADMD [R/W,W] --- X0000	ADCH [R/W] 00000000		ADCS [R/W,W] 0000 -- 00	A/D Converter
0000A0H	ADCD [R/W] 000000XX XXXXXXXXX			ADBL [R/W] ----- 0	
0000A4H	_____				Reserved
0000A8H	_____				
0000ACH	IOTDBL0 [R/W] ----- 000	ICS01 [R/W] 00000000	IOTDBL1 [R/W] ----- 000	ICS23 [R/W] 00000000	Input Capture 0,1,2,3
0000B0H	IPCP0 [R] XXXXXXXXXX XXXXXXXXX		IPCP1 [R] XXXXXXXXXX XXXXXXXXX		
0000B4H	IPCP2 [R] XXXXXXXXXX XXXXXXXXX		IPCP3 [R] XXXXXXXXXX XXXXXXXXX		
0000B8H	OCS01 [R/W] --- 0 -- 00 0000 -- 00		reserved		Output Com- pare 0,1
0000BCH	OCCP0 [R/W] XXXXXXXXXX XXXXXXXXX		OCCP1 [R/W] XXXXXXXXXX XXXXXXXXX		
0000C0H	_____				Reserved
0000C4H	_____				
0000C8H	TCDT0 [R/W] XXXXXXXXXX XXXXXXXXX		_____	TCCS0 [R/W] - 0000000	Free Running Counter 0 for ICU/OCU
0000CCH	TCDT1 [R/W] XXXXXXXXXX XXXXXXXXX		_____	TCCS1 [R/W] - 0000000	Free Running Counter 1 for ICU/OCU
0000D0H					

Address	Register				Block
	+0	+1	+2	+3	
0000D4H	_____				Reserved
0000D8H					
0000DCH					
0000E0H					
0000E4H					
0000E8H					
0000ECH					
0000F0H					
0000F4H		WTDBL [R/W] ----- 0	WTCR [R/W] 00000000 000 - 0000		Real Time Clock (WatchTimer)
0000F8H		WTBR [R/W] -- XXXXXXX XXXXXXXX XXXXXXXX			
0000FCH	WTHR [R/W] --- 00000	WTMR [R/W] -- 000000	WTSR [R/W] -- 000000		
000100H	_____				Reserved
000104H					
000108H					
00010CH					
000110H					
000114H					
000118H	GCN10 [R/W] 00110010 00010000		PDBL0 [R/W] --- 00000	GCN20 [R/W] ---- 0000	PWM Control 0
00011CH	_____				Reserved
000120H	PTMR0 [R] 11111111 11111111		PCSR0 [W] XXXXXXXX XXXXXXXX		PWM0
000124H	PDUT0 [W] XXXXXXXX XXXXXXXX		PCNH0 [R/W] 0000000 -	PCNL0 [R/W] 000000 - 0	
000128H	PTMR1 [R] 11111111 11111111		PCSR1 [W] XXXXXXXX XXXXXXXX		PWM1
00012CH	PDUT1 [W] XXXXXXXX XXXXXXXX		PCNH1 [R/W] 0000000 -	PCNL1 [R/W] 000000 - 0	
000130H	PTMR2 [R] 11111111 11111111		PCSR2 [W] XXXXXXXX XXXXXXXX		PWM2
000134H	PDUT2 [W] XXXXXXXX XXXXXXXX		PCNH2 [R/W] 0000000 -	PCNL2 [R/W] 000000 - 0	

Address	Register				Block
	+0	+1	+2	+3	
000138H	PTMR3 [R] 11111111 11111111		PCSR3 [W] XXXXXXXX XXXXXXXX		PWM3
00013CH	PDUT3 [W] XXXXXXXX XXXXXXXX		PCNH3 [R/W] 0000000 -	PCNL3 [R/W] 000000 - 0	
000140H					Reserved
000144H					
000148H					
00014CH					
000150H					
000154H					
000158H					
00015CH					
000160H					
000164H					
000168H	CMLS0 [R/W] 01110111 1111111		CMLS1 [R/W] 01110111 1111111		
00016CH	CMLS2 [R/W] 01110111 1111111		CMLS3 [R/W] 01110111 1111111		
000170H	CMLT0 [R/W] ----100 00000010		CMLT1 [R/W] 11110100 00000010		
000174H	CMLT2 [R/W] ----100 00000010		CMLT3 [R/W] ----100 00000010		
000178H	CMAC [R/W] 11111111 1111111		CMTS [R/W] --000001 01111111		
00017CH		PDCRCR [R/W] ----- 000			Power down reset
000180H	ACCDBL[R/W] ----- 0	ACSR [R/W] --- XXX00			Alarm comparator
000184H	IBCR2 [R/W] 00000000	IBSR2 [R] 00000000	ITBAH [R/W] ----- 00	ITBAL [R/W] 00000000	I2C (new)
000188H	ITMKH [R/W] 00 ---- 11	ITMKL [R/W] 11111111	ISMK [R/W] 01111111	ISBA [R/W] - 0000000	(*) old and new I2C share this bit!
00018CH	IDARH [-] 00000000	IDAR2 [R/W] 00000000	ICCR2 [R/W] - 0011111	IDBL2(*) [R/W] ----- 0	
000190H	CUCR [R/W] ----- --- 0 --00		CUTD [R/W] 10000000 00000000		calibration unit of 32KHz oscillator (only on F368GA)
000194H	CUTR1 [R] ----- 00000000		CUTR2 [R] 00000000 00000000		

Address	Register				Block
	+0	+1	+2	+3	
000198H   0001F8H	-----1				Reserved
0001FCH			F362MD [R/W] 00000000		F362 Mode Reg
000200H	DMACA0 [R/W] 00000000 0000XXXX XXXXXXXX XXXXXXXX				DMAC
000204H	DMACB0 [R/W] 00000000 00000000 XXXXXXXX XXXXXXXX				
000208H	DMACA1 [R/W] 00000000 0000XXXX XXXXXXXX XXXXXXXX				
00020CH	DMACB1 [R/W] 00000000 00000000 XXXXXXXX XXXXXXXX				
000210H	DMACA2 [R/W] 00000000 0000XXXX XXXXXXXX XXXXXXXX				
000214H	DMACB2 [R/W] 00000000 00000000 XXXXXXXX XXXXXXXX				
000218H	DMACA3 [R/W] 00000000 0000XXXX XXXXXXXX XXXXXXXX				
00021CH	DMACB3 [R/W] 00000000 00000000 XXXXXXXX XXXXXXXX				
000220H	DMACA4 [R/W] 00000000 0000XXXX XXXXXXXX XXXXXXXX				
000224H	DMACB4 [R/W] 00000000 00000000 XXXXXXXX XXXXXXXX				
000228H   00023CH	-----				
000240H	DMACR [R/W] 00--0000 -----				
000244H   0003ECH	-----				Reserved
0003F0H	BSD0 [W] XXXXXXXX XXXXXXXX XXXXXXXX XXXXXXXX				Bit Search Module
0003F4H	BSD1 [R/W] XXXXXXXX XXXXXXXX XXXXXXXX XXXXXXXX				
0003F8H	BSDC [W] XXXXXXXX XXXXXXXX XXXXXXXX XXXXXXXX				
0003FCH	BSRR [R] XXXXXXXX XXXXXXXX XXXXXXXX XXXXXXXX				

Address	Register				Block
	+0	+1	+2	+3	
000400H	DDRG [R/W] 00000000	DDRH [R/W] 00000000	DDRI [R/W] ---0---	DDRJ [R/W] 00000000	R-bus Port Direction Register
000404H	DDRK [R/W] 00000000	DDRL [R/W] 00000000	DDRM [R/W] ----0000	DDRN [R/W] --000000	
000408H	DDRO [R/W] 00000000	DDRP [R/W] ----0000	DDRQ [R/W] --000000	DDRR [R/W] 00000000	
00040CH	DDRS [R/W] 00000000				
000410H	PFRG [R/W] 00000000	PFRH [R/W] 00000000	PFRI [R/W] ---0---	PFRJ [R/W] 00000000	R-bus Port Function Register
000414H	PFRK [R/W] 00000000	PFRL [R/W] 00000000	PFRM [R/W] ----0000	PFRN [R/W] --000000	
000418H	PFRO [R/W] 00000000	PFRP [R/W] 00000000	PFRQ [R/W] --000000	PFRR [R/W] 00000000	
00041CH	PFRS [R/W] 00000000				
000420H   00043CH	—————				Reserved

Address	Register				Block
	+0	+1	+2	+3	
000440H	ICR00 [R/W] ---11111	ICR01 [R/W] ---11111	ICR02 [R/W] ---11111	ICR03 [R/W] ---11111	Interrupt Control unit
000444H	ICR04 [R/W] ---11111	ICR05 [R/W] ---11111	ICR06 [R/W] ---11111	ICR07 [R/W] ---11111	
000448H	ICR08 [R/W] ---11111	ICR09 [R/W] ---11111	ICR10 [R/W] ---11111	ICR11 [R/W] ---11111	
00044CH	ICR12 [R/W] ---11111	ICR13 [R/W] ---11111	ICR14 [R/W] ---11111	ICR15 [R/W] ---11111	
000450H	ICR16 [R/W] ---11111	ICR17 [R/W] ---11111	ICR18 [R/W] ---11111	ICR19 [R/W] ---11111	
000454H	ICR20 [R/W] ---11111	ICR21 [R/W] ---11111	ICR22 [R/W] ---11111	ICR23 [R/W] ---11111	
000458H	ICR24 [R/W] ---11111	ICR25 [R/W] ---11111	ICR26 [R/W] ---11111	ICR27 [R/W] ---11111	
00045CH	ICR28 [R/W] ---11111	ICR29 [R/W] ---11111	ICR30 [R/W] ---11111	ICR31 [R/W] ---11111	
000460H	ICR32 [R/W] ---11111	ICR33 [R/W] ---11111	ICR34 [R/W] ---11111	ICR35 [R/W] ---11111	
000464H	ICR36 [R/W] ---11111	ICR37 [R/W] ---11111	ICR38 [R/W] ---11111	ICR39 [R/W] ---11111	
000468H	ICR40 [R/W] ---11111	ICR41 [R/W] ---11111	ICR42 [R/W] ---11111	ICR43 [R/W] ---11111	
00046CH	ICR44 [R/W] ---11111	ICR45 [R/W] ---11111	ICR46 [R/W] ---11111	ICR47 [R/W] ---11111	
000470H   00047CH	_____				
000480H	RSRR [R/W] 10000000	STCR [R/W] 00110011	TBCR [R/W] X0000X00	CTBR [W] XXXXXXXX	Clock Control unit
000484H	CLKR [R/W] 00000000	WPR [W] XXXXXXXX	DIVR0 [R/W] 00000011	DIVR1 [R/W] 00000000	
000488H   0005FCH	_____				Reserved
000600H	_____				Reserved
000604H					
000608H					
00060CH					



Address	Register				Block	
	+0	+1	+2	+3		
000610H	_____				Reserved	
000614H						
000618H						
00061CH						
000620H						
000624H						
000628H   00063FH	_____				Reserved	
000640H	ASR0 [W] 00000000 00000000		AMR0 [W] 11111000 11111111		T-unit	
000644H	ASR1 [W] 00000000 00000000		AMR1 [W] 00000000 00000000			
000648H	ASR2 [W] 00000000 00000000		AMR2 [W] 00000000 00000000			
00064CH	ASR3 [W] 00000000 00000000		AMR3 [W] 00000000 00000000			
000650H	ASR4 [W] 00000000 00000000		AMR4 [W] 00000000 00000000			
000654H	ASR5 [W] 00000000 00000000		AMR5 [W] 00000000 00000000			
000658H	ASR6 [W] 00000000 00000000		AMR6 [W] 00000000 00000000			
00065CH	ASR7 [W] 00000000 00000000		AMR7 [W] 00000000 00000000			
000660H	AMD0 [R/W] -00XX111	AMD1 [R/W] -XXXXXXXX	AMD2 [R/W] --XXXXXX	AMD3 [R/W] --XXXXXX		
000664H	AMD4 [R/W] --XXXXXX	AMD5 [R/W] --XXXXXX	AMD6 [R/W] -XXXXXXXX	AMD7 [R/W] -XXXXXXXX		
000668H	CSE 11000011	_____	_____	_____		
00066CH	_____	_____	_____	_____		
000670H	CHE 11111111	_____	_____	_____		
000674H   0007F8H	_____					Reserved
0007FCH	_____	MODR [W] XXXXXXXX	_____	_____		Mode Register

Address	Register				Block
	+0	+1	+2	+3	
000800H   000B6CH	_____				Reserved
001000H	DMASA0 [R/W] XXXXXXXX XXXXXXXX XXXXXXXX XXXXXXXX				DMAC
001004H	DMADA0 [R/W] XXXXXXXX XXXXXXXX XXXXXXXX XXXXXXXX				
001008H	DMASA1 [R/W] XXXXXXXX XXXXXXXX XXXXXXXX XXXXXXXX				
00100CH	DMADA1 [R/W] XXXXXXXX XXXXXXXX XXXXXXXX XXXXXXXX				
001010H	DMASA2 [R/W] XXXXXXXX XXXXXXXX XXXXXXXX XXXXXXXX				
001014H	DMADA2 [R/W] XXXXXXXX XXXXXXXX XXXXXXXX XXXXXXXX				
001018H	DMASA3 [R/W] XXXXXXXX XXXXXXXX XXXXXXXX XXXXXXXX				
00101CH	DMADA3 [R/W] XXXXXXXX XXXXXXXX XXXXXXXX XXXXXXXX				
001020H	DMASA4 [R/W] XXXXXXXX XXXXXXXX XXXXXXXX XXXXXXXX				
001024H	DMADA4 [R/W] XXXXXXXX XXXXXXXX XXXXXXXX XXXXXXXX				
001028H   003FFCH	_____				
004000H   006FFFH	_____				Reserved
007000H	FMCS [R/W] 1110X000	_____	_____	_____	Flash Memory Control Register
007004H	FMWT [R/W] --000011	_____	_____	_____	
007008H   00FFFC	_____				Reserved
010000H   010FFCH	_____				Reserved
011000H   011FFCH	_____				I-RAM 4 kB

Address	Register				Block
	+0	+1	+2	+3	
012000H   01FFFCH	_____				Reserved
020000H   03BFFCH	_____				Reserved
03C000H   03FFFCH					User RAM 16 kB (D-Bus)
040000H   043FFCH					Fast RAM 16 kB (F-Bus)
044000H   0FEFFC	_____				Reserved
050000H   0507FCH					Boot ROM 2 kB (F-Bus)
050800H   07FFF4H	_____				reserved
080000H   09FFFCH	Sector 0 64 KB		Sector 7 64 KB		Flash Memory 512 K  on F-Bus
0A0000H   0BFFFC	Sector 1 64 KB		Sector 8 64 KB		
0C0000H   0DFFFC	Sector 2 64 KB		Sector 9 64 KB		
0E0000H   0EFFFFC	Sector 3 32 KB		Sector 10 32 KB		
0F0000H   0F3FFCH	Sector 4 8 KB		Sector 11 8 KB		
0F4000H   0F7FFCH	Sector 5 8 KB		Sector 12 8 KB		
0F8000H   0FFFF4H	Sector 6 16 KB		Sector 13 16 KB		

Address	Register				Block
	+0	+1	+2	+3	
0FFFF8H	FMV [R] 06 00 00 00H				Fixed Reset/Mode Vector
0FFFFCH	FRV [R] 00 05 00 00H				
Write operations to address 0FFFF8H and 0FFFFCH are not possible. When reading these addresses, the values shown above will be read.					

Address	Register				Block
	+0	+1	+2	+3	
10000H	BVALR0 [R/W] 00000000 00000000		TREQR0 [R/W] 00000000 00000000		CAN 0  Remark: Address range for CAN 0 to CAN 1 depends on chip select range. Men- tioned addresses are default val- ues, deter- mined by boot ROM con- tents.
10004H	TCANR0 [W] 00000000 00000000		TCR0 [R/W] 00000000 00000000		
10008H	RCR0 [R/W] 00000000 00000000		RRTRR0 [R/W] 00000000 00000000		
1000CH	ROVRR0 [R/W] 00000000 00000000		RIER0 [R/W] 00000000 00000000		
10010H	CSR0 [R/W] 00000000 00000001			LEIR0 [R/W] 000-0000	
10014H	RTEC0 [R] 00000000 00000000		BTR0 [R/W] -1111111 11111111		
10018H	IDER0 [R/W] XXXXXXXX XXXXXXXX		TRTRR0 [R/W] 00000000 00000000		
1001CH	RFWTR0 [R/W] XXXXXXXX XXXXXXXX		TIER0 [R/W] 00000000 00000000		
10020H	AMSR0 [R/W] XXXXXXXX XXXXXXXX XXXXXXXX XXXXXXXX				
10024H	AMR00 [R/W] XXXXXXXX XXXXXXXX XXXXX--- XXXXXXXX				
10028H	AMR10 [R/W] XXXXXXXX XXXXXXXX XXXXX--- XXXXXXXX				
1002CH   10048H	GENERAL PURPOSE RAM [R/W]				
1004CH	IDR00 [R/W] XXXXXXXX XXXXXXXX XXXXX--- XXXXXXXX				
10050H	IDR10 [R/W] XXXXXXXX XXXXXXXX XXXXX--- XXXXXXXX				
10054H	IDR20 [R/W] XXXXXXXX XXXXXXXX XXXXX--- XXXXXXXX				
10058H	IDR30 [R/W] XXXXXXXX XXXXXXXX XXXXX--- XXXXXXXX				
1005CH	IDR40 [R/W] XXXXXXXX XXXXXXXX XXXXX--- XXXXXXXX				
10060H	IDR50 [R/W] XXXXXXXX XXXXXXXX XXXXX--- XXXXXXXX				
10064H	IDR60 [R/W] XXXXXXXX XXXXXXXX XXXXX--- XXXXXXXX				

Address	Register				Block
	+0	+1	+2	+3	
100068H	IDR70 [R/W] XXXXXXXX XXXXXXXX XXXXX-- XXXXXXXX				CAN 0
10006CH	IDR80 [R/W] XXXXXXXX XXXXXXXX XXXXX-- XXXXXXXX				
100070H	IDR90 [R/W] XXXXXXXX XXXXXXXX XXXXX-- XXXXXXXX				
100074H	IDR100 [R/W] XXXXXXXX XXXXXXXX XXXXX-- XXXXXXXX				
100078H	IDR110 [R/W] XXXXXXXX XXXXXXXX XXXXX-- XXXXXXXX				
10007CH	IDR120 [R/W] XXXXXXXX XXXXXXXX XXXXX-- XXXXXXXX				
100080H	IDR130 [R/W] XXXXXXXX XXXXXXXX XXXXX-- XXXXXXXX				
100084H	IDR140 [R/W] XXXXXXXX XXXXXXXX XXXXX-- XXXXXXXX				
100088H	IDR150 [R/W] XXXXXXXX XXXXXXXX XXXXX-- XXXXXXXX				
10008CH	DLCR00 [R/W] -----XXX		DLCR10 [R/W] -----XXX		
100090H	DLCR20 [R/W] -----XXX		DLCR30 [R/W] -----XXX		
100094H	DLCR40 [R/W] -----XXX		DLCR50 [R/W] -----XXX		
100098H	DLCR60 [R/W] -----XXX		DLCR70 [R/W] -----XXX		
10009CH	DLCR80 [R/W] -----XXX		DLCR90 [R/W] -----XXX		
1000A0H	DLCR100 [R/W] -----XXX		DLCR110 [R/W] -----XXX		
1000A4H	DLCR120 [R/W] -----XXX		DLCR130 [R/W] -----XXX		
1000A8H	DLCR140 [R/W] -----XXX		DLCR150 [R/W] -----XXX		
1000ACH	DTR00 [R/W] XXXXXXXX XXXXXXXX XXXXXXXX XXXXXXXX XXXXXXXX XXXXXXXX XXXXXXXX XXXXXXXX				
1000B4H	DTR10 [R/W] XXXXXXXX XXXXXXXX XXXXXXXX XXXXXXXX XXXXXXXX XXXXXXXX XXXXXXXX XXXXXXXX				

Address	Register				Block
	+0	+1	+2	+3	
1000BCH	DTR20 [R/W] XXXXXXXX XXXXXXXX XXXXXXXX XXXXXXXX XXXXXXXX XXXXXXXX XXXXXXXX XXXXXXXX				CAN 0
1000C4H	DTR30 [R/W] XXXXXXXX XXXXXXXX XXXXXXXX XXXXXXXX XXXXXXXX XXXXXXXX XXXXXXXX XXXXXXXX				
1000CCH	DTR40 [R/W] XXXXXXXX XXXXXXXX XXXXXXXX XXXXXXXX XXXXXXXX XXXXXXXX XXXXXXXX XXXXXXXX				
1000D4H	DTR50 [R/W] XXXXXXXX XXXXXXXX XXXXXXXX XXXXXXXX XXXXXXXX XXXXXXXX XXXXXXXX XXXXXXXX				
1000DCH	DTR60 [R/W] XXXXXXXX XXXXXXXX XXXXXXXX XXXXXXXX XXXXXXXX XXXXXXXX XXXXXXXX XXXXXXXX				
1000E4H	DTR70 [R/W] XXXXXXXX XXXXXXXX XXXXXXXX XXXXXXXX XXXXXXXX XXXXXXXX XXXXXXXX XXXXXXXX				
1000ECH	DTR80 [R/W] XXXXXXXX XXXXXXXX XXXXXXXX XXXXXXXX XXXXXXXX XXXXXXXX XXXXXXXX XXXXXXXX				
1000F4H	DTR90 [R/W] XXXXXXXX XXXXXXXX XXXXXXXX XXXXXXXX XXXXXXXX XXXXXXXX XXXXXXXX XXXXXXXX				
1000FCH	DTR100 [R/W] XXXXXXXX XXXXXXXX XXXXXXXX XXXXXXXX XXXXXXXX XXXXXXXX XXXXXXXX XXXXXXXX				
100104H	DTR110 [R/W] XXXXXXXX XXXXXXXX XXXXXXXX XXXXXXXX XXXXXXXX XXXXXXXX XXXXXXXX XXXXXXXX				
10010CH	DTR120 [R/W] XXXXXXXX XXXXXXXX XXXXXXXX XXXXXXXX XXXXXXXX XXXXXXXX XXXXXXXX XXXXXXXX				
100114H	DTR130 [R/W] XXXXXXXX XXXXXXXX XXXXXXXX XXXXXXXX XXXXXXXX XXXXXXXX XXXXXXXX XXXXXXXX				
10011CH	DTR140 [R/W] XXXXXXXX XXXXXXXX XXXXXXXX XXXXXXXX XXXXXXXX XXXXXXXX XXXXXXXX XXXXXXXX				
100124H	DTR150 [R/W] XXXXXXXX XXXXXXXX XXXXXXXX XXXXXXXX XXXXXXXX XXXXXXXX XXXXXXXX XXXXXXXX				
10012CH	CREG0 [R/W] 00000000 00000110				

Address	Register				Block
	+0	+1	+2	+3	
100200H	BVALR1 [R/W] 00000000 00000000		TREQR1 [R/W] 00000000 00000000		CAN 1  Remark: Address range for CAN 0 to CAN 1 depends on chip select range. Men- tioned addresses are default val- ues, deter- mined by boot ROM con- tents.
100204H	TCANR1 [W] 00000000 00000000		TCR1 [R/W] 00000000 00000000		
100208H	RCR1 [R/W] 00000000 00000000		RRTRR1 [R/W] 00000000 00000000		
10020CH	ROVRR1 [R/W] 00000000 00000000		RIER1 [R/W] 00000000 00000000		
100210H	CSR1 [R/W] 00000000 00000001			LEIR1 [R/W] 000-0000	
100214H	RTEC1 [R] 00000000 00000000		BTR1 [R/W] -1111111 11111111		
100218H	IDER1 [R/W] XXXXXXXX XXXXXXXX		TRTRR1 [R/W] 00000000 00000000		
10021CH	RFWTR1 [R/W] XXXXXXXX XXXXXXXX		TIER1 [R/W] 00000000 00000000		
100220H	AMSR1 [R/W] XXXXXXXX XXXXXXXX XXXXXXXX XXXXXXXX				
100224H	AMR01 [R/W] XXXXXXXX XXXXXXXX XXXXX--- XXXXXXXX				
100228H	AMR11 [R/W] XXXXXXXX XXXXXXXX XXXXX--- XXXXXXXX				
10022CH   100248H	GENERAL PURPOSE RAM [R/W]				
10024CH	IDR01 [R/W] XXXXXXXX XXXXXXXX XXXXX--- XXXXXXXX				
100250H	IDR11 [R/W] XXXXXXXX XXXXXXXX XXXXX--- XXXXXXXX				
100254H	IDR21[R/W] XXXXXXXX XXXXXXXX XXXXX--- XXXXXXXX				
100258H	IDR31 [R/W] XXXXXXXX XXXXXXXX XXXXX--- XXXXXXXX-				
10025CH	IDR41 [R/W] XXXXXXXX XXXXXXXX XXXXX--- XXXXXXXX				
100260H	IDR51 [R/W] XXXXXXXX XXXXXXXX XXXXX--- XXXXXXXX				
100264H	IDR61 [R/W] XXXXXXXX XXXXXXXX XXXXX--- XXXXXXXX				



Address	Register				Block
	+0	+1	+2	+3	
100268H	IDR71 [R/W] XXXXXXXX XXXXXXXX XXXXX-- XXXXXXXX				CAN 1
10026CH	IDR81 [R/W] XXXXXXXX XXXXXXXX XXXXX-- XXXXXXXX				
100270H	IDR91 [R/W] XXXXXXXX XXXXXXXX XXXXX-- XXXXXXXX				
100274H	IDR101 [R/W] XXXXXXXX XXXXXXXX XXXXX-- XXXXXXXX				
100278H	IDR111 [R/W] XXXXXXXX XXXXXXXX XXXXX-- XXXXXXXX				
10027CH	IDR121 [R/W] XXXXXXXX XXXXXXXX XXXXXXXX XXXXX--				
100280H	IDR131 [R/W] XXXXXXXX XXXXXXXX XXXXX-- XXXXXXXX				
100284H	IDR141 [R/W] XXXXXXXX XXXXXXXX XXXXX-- XXXXXXXX				
100288H	IDR151 [R/W] XXXXXXXX XXXXXXXX XXXXX-- XXXXXXXX				
10028CH	DLCR01 [R/W] -----XXX		DLCR11 [R/W] -----XXX		
100290H	DLCR21 [R/W] -----XXX		DLCR31 [R/W] -----XXX		
100294H	DLCR41 [R/W] -----XXX		DLCR51 [R/W] -----XXX		
100298H	DLCR61 [R/W] -----XXX		DLCR71 [R/W] -----XXX		
10029CH	DLCR81 [R/W] -----XXX		DLCR91 [R/W] -----XXX		
1002A0H	DLCR101 [R/W] -----XXX		DLCR111 [R/W] -----XXX		
1002A4H	DLCR121 [R/W] -----XXX		DLCR131 [R/W] -----XXX		
1002A8H	DLCR141 [R/W] -----XXX		DLCR151 [R/W] -----XXX		
1002ACH	DTR01 [R/W] XXXXXXXX XXXXXXXX XXXXXXXX XXXXXXXX XXXXXXXX XXXXXXXX XXXXXXXX XXXXXXXX				
1002B4H	DTR11 [R/W] XXXXXXXX XXXXXXXX XXXXXXXX XXXXXXXX XXXXXXXX XXXXXXXX XXXXXXXX XXXXXXXX				

Address	Register				Block
	+0	+1	+2	+3	
1002BCH	DTR21 [R/W] XXXXXXXX XXXXXXXX XXXXXXXX XXXXXXXX XXXXXXXX XXXXXXXX XXXXXXXX XXXXXXXX				CAN 1
1002C4H	DTR31 [R/W] XXXXXXXX XXXXXXXX XXXXXXXX XXXXXXXX XXXXXXXX XXXXXXXX XXXXXXXX XXXXXXXX				
1002CCH	DTR41 [R/W] XXXXXXXX XXXXXXXX XXXXXXXX XXXXXXXX XXXXXXXX XXXXXXXX XXXXXXXX XXXXXXXX				
1002D4H	DTR51 [R/W] XXXXXXXX XXXXXXXX XXXXXXXX XXXXXXXX XXXXXXXX XXXXXXXX XXXXXXXX XXXXXXXX				
1002DCH	DTR61 [R/W] XXXXXXXX XXXXXXXX XXXXXXXX XXXXXXXX XXXXXXXX XXXXXXXX XXXXXXXX XXXXXXXX				
1002E4H	DTR71 [R/W] XXXXXXXX XXXXXXXX XXXXXXXX XXXXXXXX XXXXXXXX XXXXXXXX XXXXXXXX XXXXXXXX				
1002ECH	DTR81 [R/W] XXXXXXXX XXXXXXXX XXXXXXXX XXXXXXXX XXXXXXXX XXXXXXXX XXXXXXXX XXXXXXXX				
1002F4H	DTR91 [R/W] XXXXXXXX XXXXXXXX XXXXXXXX XXXXXXXX XXXXXXXX XXXXXXXX XXXXXXXX XXXXXXXX				
1002FCH	DTR101 [R/W] XXXXXXXX XXXXXXXX XXXXXXXX XXXXXXXX XXXXXXXX XXXXXXXX XXXXXXXX XXXXXXXX				
100304H	DTR111 [R/W] XXXXXXXX XXXXXXXX XXXXXXXX XXXXXXXX XXXXXXXX XXXXXXXX XXXXXXXX XXXXXXXX				
10030CH	DTR121 [R/W] XXXXXXXX XXXXXXXX XXXXXXXX XXXXXXXX XXXXXXXX XXXXXXXX XXXXXXXX XXXXXXXX				
100314H	DTR131 [R/W] XXXXXXXX XXXXXXXX XXXXXXXX XXXXXXXX XXXXXXXX XXXXXXXX XXXXXXXX XXXXXXXX				
10031CH	DTR141 [R/W] XXXXXXXX XXXXXXXX XXXXXXXX XXXXXXXX XXXXXXXX XXXXXXXX XXXXXXXX XXXXXXXX				
100324H	DTR151 [R/W] XXXXXXXX XXXXXXXX XXXXXXXX XXXXXXXX XXXXXXXX XXXXXXXX XXXXXXXX XXXXXXXX				
10032CH	CREG1 [R/W] 00000000 00000110				

## Appendix B Interrupt Vectors

This appendix lists the interrupt vector table.

The interrupt vector table lists the interrupt vectors and interrupt control registers assigned to each MB91360 interrupt.

Interrupt	Interrupt number		Interrupt level <sup>1</sup>		Interrupt vector <sup>2</sup>		RN
	Decimal	Hexa-decimal	Setting Register	Register address	Offset	Default Vector address	
Reset <sup>6</sup>	0	00	-	-	0x3FC	0x000FFFFC	
Mode vector <sup>6</sup>	1	01	-	-	0x3F8	0x000FFFF8	
System reserved	2	02	-	-	0x3F4	0x000FFFF4	
System reserved	3	03	-	-	0x3F0	0x000FFFF0	
System reserved	4	04	-	-	0x3EC	0x000FFFE4	
System reserved	5	05	-	-	0x3E8	0x000FFFE8	
System reserved	6	06	-	-	0x3E4	0x000FFFE4	
Co-processor fault trap <sup>4</sup>	7	07	-	-	0x3E0	0x000FFFE0	
Co-processor error trap <sup>4</sup>	8	08	-	-	0x3DC	0x000FFFD4	
INTE instruction <sup>4</sup>	9	09	-	-	0x3D8	0x000FFFD8	
Instruction break exception <sup>4</sup>	10	0A	-	-	0x3D4	0x000FFFD4	
Operand break trap <sup>4</sup>	11	0B	-	-	0x3D0	0x000FFFD0	
Step trace trap <sup>4</sup>	12	0C	-	-	0x3CC	0x000FFFC4	
NMI interrupt(tool) <sup>4</sup>	13	0D	-	-	0x3C8	0x000FFFC8	
Undefined instruction exception	14	0E	-	-	0x3C4	0x000FFFC4	
NMI request	15	0F	FH fixed		0x3C0	0x000FFFC0	
External Interrupt 0	16	10	ICR00	0x440	0x3BC	0x000FFFB4	4
External Interrupt 1	17	11	ICR01	0x441	0x3B8	0x000FFFB8	5
External Interrupt 2	18	12	ICR02	0x442	0x3B4	0x000FFFB4	8
External Interrupt 3	19	13	ICR03	0x443	0x3B0	0x000FFFB0	9
External Interrupt 4	20	14	ICR04	0x444	0x3AC	0x000FFFA4	
External Interrupt 5	21	15	ICR05	0x445	0x3A8	0x000FFFA8	
External Interrupt 6	22	16	ICR06	0x446	0x3A4	0x000FFFA4	

External Interrupt 7	23	17	ICR07	0x447	0x3A0	0x000FFFA0	
Reload Timer 0	24	18	ICR08	0x448	0x39C	0x000FFF9C	6
Reload Timer 1	25	19	ICR09	0x449	0x398	0x000FFF98	7
Reload Timer 2	26	1A	ICR10	0x44A	0x394	0x000FFF94	
CAN 0 RX	27	1B	ICR11	0x44B	0x390	0x000FFF90	
CAN 0 TX/NS	28	1C	ICR12	0x44C	0x38C	0x000FFF8C	
CAN 1 RX	29	1D	ICR13	0x44D	0x388	0x000FFF88	
CAN 1 TX/NS	30	1E	ICR14	0x44E	0x384	0x000FFF84	
CAN 2 RX <sup>7</sup>	31	1F	ICR15	0x44F	0x380	0x000FFF80	
CAN 2 TX/NS <sup>7</sup>	32	20	ICR16	0x450	0x37C	0x000FFF7C	
CAN 3 RX <sup>5</sup>	33	21	ICR17	0x451	0x378	0x000FFF78	
CAN 3 TX/NS <sup>5</sup>	34	22	ICR18	0x452	0x374	0x000FFF74	
PPG 0/1	35	23	ICR19	0x453	0x370	0x000FFF70	
PPG 2/3	36	24	ICR20	0x454	0x36C	0x000FFF6C	
PPG 4/5 <sup>7</sup>	37	25	ICR21	0x455	0x368	0x000FFF68	
PPG 6/7 <sup>7</sup>	38	26	ICR22	0x456	0x364	0x000FFF64	
Reload Timer 3 <sup>7</sup>	39	27	ICR23	0x457	0x360	0x000FFF60	
Reload Timer 4 <sup>7</sup>	40	28	ICR24	0x458	0x35C	0x000FFF5C	
Reload Timer 5 <sup>7</sup>	41	29	ICR25	0x459	0x358	0x000FFF58	
ICU 0/1	42	2A	ICR26	0x45A	0x354	0x000FFF54	
OCU 0/1	43	2B	ICR27	0x45B	0x350	0x000FFF50	
ICU 2/3	44	2C	ICR28	0x45C	0x34C	0x000FFF4C	
OCU 2/3 <sup>7</sup>	45	2D	ICR29	0x45D	0x348	0x000FFF48	
ADC	46	2E	ICR30	0x45E	0x344	0x000FFF44	14
Timebase Overflow	47	2F	ICR31	0x45F	0x340	0x000FFF40	
Free Running Counter 0	48	30	ICR32	0x460	0x33C	0x000FFF3C	
Free Running Counter 1	49	31	ICR33	0x461	0x338	0x000FFF38	
SIO 0	50	32	ICR34	0x462	0x334	0x000FFF34	
SIO 1	51	33	ICR35	0x463	0x330	0x000FFF30	
Sound Generator <sup>7</sup>	52	34	ICR36	0x464	0x32C	0x000FFF2C	
UART 0 RX	53	35	ICR37	0x465	0x328	0x000FFF28	0
UART 0 TX	54	36	ICR38	0x466	0x324	0x000FFF24	1
UART 1 RX <sup>7</sup>	55	37	ICR39	0x467	0x320	0x000FFF20	2
UART 1 TX <sup>7</sup>	56	38	ICR40	0x468	0x31C	0x000FFF1C	3

UART 2 RX <sup>7</sup>	57	39	ICR41	0x469	0x318	0x000FFF18	10
UART 2 TX <sup>7</sup>	58	3A	ICR42	0x46A	0x314	0x000FFF14	11
I2C	59	3B	ICR43	0x46B	0x310	0x000FFF10	13
Alarm Comparator	60	3C	ICR44	0x46C	0x30C	0x000FFF0C	
RTC / Calibration <sup>8</sup> (Watchtimer)	61	3D	ICR45	0x46D	0x308	0x000FFF08	
DMA	62	3E	ICR46	0x46E	0x304	0x000FFF04	
Delayed interrupt activation bit	63	3F	ICR47	0x46F	0x300	0x000FFF00	
System reserved <sup>*3</sup>	64	40	-	-	0x2FC	0x000FFEFC	
System reserved <sup>*3</sup>	65	41	-	-	0x2F8	0x000FFE8	
Security vector	66	42			0x2F4	0x000FEF4	
System reserved	67	43	(ICR51)	0x473	0x2F0	0x000FEF0	
System reserved	68	44	(ICR52)	0x474	0x2EC	0x000FEFEC	
System reserved	69	45	(ICR53)	0x475	0x2E8	0x000FEFEE8	
System reserved	70	46	(ICR54)	0x476	0x2E4	0x000FEFEE4	
System reserved	71	47	(ICR55)	0x477	0x2E0	0x000FEFEE0	
System reserved	72	48	(ICR56)	0x478	0x2DC	0x000FEFEDC	
System reserved	73	49	(ICR57)	0x479	0x2D8	0x000FEFED8	
System reserved	74	4A	(ICR58)	0x47A	0x2D4	0x000FEFED4	
System reserved	75	4B	(ICR59)	0x47B	0x2D0	0x000FEFED0	
System reserved	76	4C	(ICR60)	0x47C	0x2CC	0x000FEFEC8	
System reserved	77	4D	(ICR61)	0x47D	0x2C8	0x000FEFEC8	
System reserved	78	4E	(ICR62)	0x47E	0x2C4	0x000FEFEC4	
System reserved	79	4F	(ICR63)	0x47F	0x2C0	0x000FEFEC0	
Used by the INT instruction.	80 to 255	50 to FF	-	-	0x2BC to 0x000	0x000FEFBC to 0x000FFC00	

<sup>\*1</sup> The ICRs are located in the interrupt controller and set the interrupt level for each interrupt request. An ICR is provided for each interrupt request.

<sup>\*2</sup> The vector address for each EIT (exception, interrupt or trap) is calculated by adding the listed offset to the table base register value (TBR). The TBR specifies the top of the EIT vector table. The addresses listed in the table are for the default TBR value (0x000FFC00). The TBR is initialized to this value by a reset. After execution of the internal boot ROM TBR is set to 0x00FFC00.

<sup>\*3</sup> Used by REALOS

<sup>\*4</sup> System reserved

<sup>\*5</sup> Only available on MB91V360/MB91FV360

<sup>\*6</sup> Mode and reset vector cannot be changed, for their contents see IO map

<sup>\*7</sup> not available on MB91F367GA/F368GA

\*<sup>8</sup> calibration unit is not available on F365G

Remarks:

The 1-Kbyte area from the address specified in TBR is the EIT vector area.

Each vector consists of four bytes. The following formula shows the relationship between the vector number and vector address.

$$\begin{aligned} \text{vctadr} &= \text{TBR} + \text{vctofs} \\ &= \text{TBR} + (3\text{FCH} - 4 \times \text{vct}) \end{aligned}$$

vctadr: Vector address

vctofs: Vector offset

vct: Vector number